

## Spare parts list

Order No.: 00937462

Denomination: A AA10VSO140 DFLR/31L-PKD62N00

Brueninghaus Hydromatik  
Horb Plant

Drawing no.: 00937463

Item	Order No.	Denomination	Quantity
1	00936958	PUMP AA10VSO140 OV /31L-PKD62N00 LR	1 ST L
2	00920180	PILOT VALVE A4VS ZDR/30 P	1 ST L
3	00920244	PILOT VALVE A4VS FR1 P -SO228	1 ST L
4	00949302	PILOT VALVE LR A10V 28-100	1 ST L
5	00984436	ADAPTOR	1 ST L
6	00799998	SOCKET SCREW M5X90 -10.9	4 ST
10	00964726	PIPING LR-A10 SIZE140-LS	1 ST L
11	02409661	POWER DIAGRAM A10V140	1 ST L
14	00705454	PLUG 7/16-20 UNF 2A	1 ST D

L = Assembly group D = Sealing element

->In order to assure a correct processing of spare parts orders,  
the order must have the following information:  
Type, fabrication no., denomination and order no.  
If there is no purchase order no. the complete denomination is enough.

Status of version: 02/2001  
Brueninghaus Hydromatik GmbH, Werk Horb, An den Kelterwiesen 14, D-72160 Horb  
Telephone responder out of normal working time (0 74 51) 92 14 80

Page: 1

Following page: 2

Date: 03.09.2002

## Spare parts list

Order No.: 00936958

Denomination: PUMP AA10VSO140 OV /31L-PKD62N00 LR

Brueninghaus Hydromatik  
 Horb Plant

Drawing no.: 00936959

Item	Order No.	Denomination	Quantity
1	00918188	ROTARY GROUP A10V 140 /LEFT	1 ST L
2	00917593	CONTROL UNIT A10VSO 140	1 ST L
5	00918323	PUMP HOUSING A10V140 SAE LR	1 ST
6	00918195	PORT PLATE A10V140/30L 62N	1 ST
7	00961085	SWASH PLATE A10V140/31L (LR)	1 ST
8	02410695	DRIVE SHAFT A10V 140 KN	1 ST
9	00935425	SHAFT KEY AA4VS125	1 ST
12	00918167	CONTROL PLATE SPACER A10V140	1 ST
15	00918203	TAPERED ROLLER BEARING 529/522	1 ST
16	00918201	TAPERED ROLLER BEARING 32207	1 ST
17	00918174	CRADLE SHELL A10V 140	2 ST
20	00978001	SHAFT SEAL BAB SL 0,5 50X72X7	1 ST D
22	00930460	O-RING 230 X2,5 N80	1 ST D
23	00924872	O-RING 21 X2,5 N80	4 ST D
25	00941920	SAFETY RING 62X2,5 DIN 984	1 ST
27	00659169	SOCKET SCREW M18X55 -10.9	4 ST
30	00932795	PLUG 1 1/16-12 UN 2A	1 ST D
31	00977663	DP TEAR-OFF-PLUG M6	1 ST D
33	00922017	DOWEL PIN 8 M6X 24	1 ST

L = Assembly group D = Sealing element

->In order to assure a correct processing of spare parts orders,  
 the order must have the following information:

Type, fabrication no., denomination and order no.

If there is no purchase order no. the complete denomination is enough.

Status of version: 02/2001  
 Brueninghaus Hydromatik GmbH, Werk Horb, An den Kelterwiesen 14, D-72160 Horb  
 Telephone responder out of normal working time (0 74 51) 92 14 80

Page: 2

Following page: 3

Date: 03.09.2002

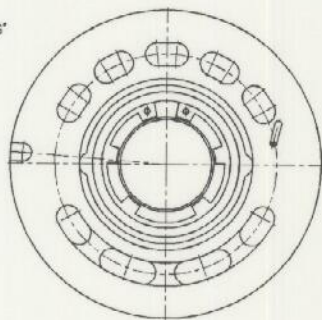
Spare parts list  
 Order No.: 00918188  
 Denomination: ROTARY GROUP A10V 140 /LEFT

Brueninghaus Hydromatik  
 Horb Plant

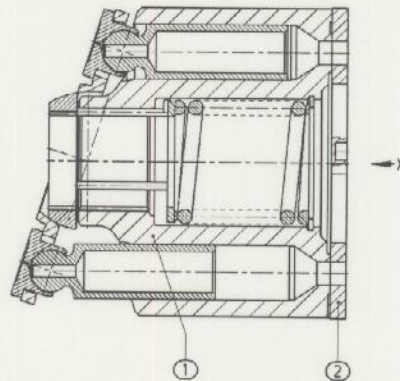
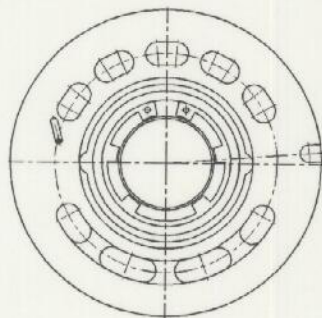
Drawing no.: 00918182

Item	Order No.	Denomination	Quantity
1	00997855	ROTARY GROUP A10V 140	1 ST L
2	00975126	DISTRIBUTOR PLATE A10V 140 L	1 ST

Ansicht X  
 Drehrichtung "RECHTS"



Ansicht X  
 Drehrichtung "LINKS"



L = Assembly group    D = Sealing element

->In order to assure a correct processing of spare parts orders,  
 the order must have the following information:  
 Type, fabrication no., denomination and order no.  
 If there is no purchase order no. the complete denomination is enough.

Status of version: 02/2001  
 Brueninghaus Hydromatik GmbH, Werk Horb, An den Kellerwiesen 14, D-72160 Horb  
 Telephone responder out of normal working time (0 74 51) 92 14 80

Page: 3

Following page: 4

Date: 03.09.2002

## Spare parts list

Order No.: 00997855

Denomination: ROTARY GROUP A10V 140

Brueninghaus Hydromatik  
Horb Plant

Drawing no.: 00997856

Item	Order No.	Denomination	Quantity
1	00925464	PISTON COMPLETE A10 140	9 ST
2	02407210	CYLINDER A10V140	1 ST
4	00996527	RETAINING PLATE A10V 140/31 TAKAKO	1 ST
6	00944745	RETAINING BALL A10V 140	1 ST
7	00918171	SPRING	1 ST
9	00917728	PRESSURE PIN A10 140	3 ST
10	00918189	SAFETY RING J58X2,0K	1 ST
11	00917727	THRUST DISC A10V 140	1 ST

L = Assembly group    D = Sealing element

->In order to assure a correct processing of spare parts orders,

the order must have the following information:

Type, fabrication no., denomination and order no.

If there is no purchase order no. the complete denomination is enough.

Status of version: 02/2001

Brueninghaus Hydromatik GmbH, Werk Horb, An den Kellerwiesen 14, D-72160 Horb  
Telephone responder out of normal working time (0 74 51) 92 14 80

Page: 4

Following page: 5

Date: 03.09.2002

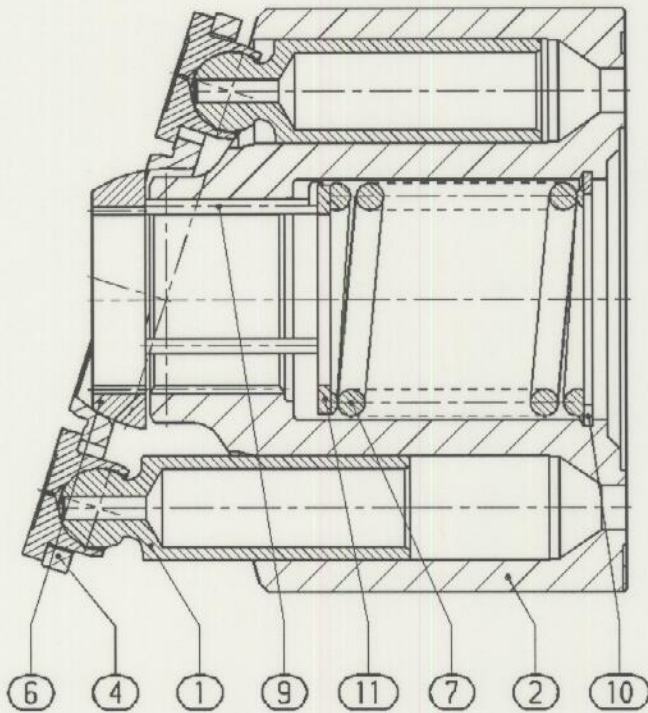


**Brueninghaus**  
**Hydromatik**

Spare parts list  
 Order No.: 00997855  
 Denomination: ROTARY GROUP A10V 140

Brueninghaus Hydromatik  
 Horb Plant

Drawing no.: 00997856



L = Assembly group    D = Sealing element

->In order to assure a correct processing of spare parts orders,  
 the order must have the following information:  
 Type, fabrication no., denomination and order no.  
 If there is no purchase order no. the complete denomination is enough.

Status of version: 02/2001  
 Brueninghaus Hydromatik GmbH, Werk Horb, An den Kellerwiesen 14, D-72160 Horb  
 Telephone responder out of normal working time (0 74 51) 92 14 80