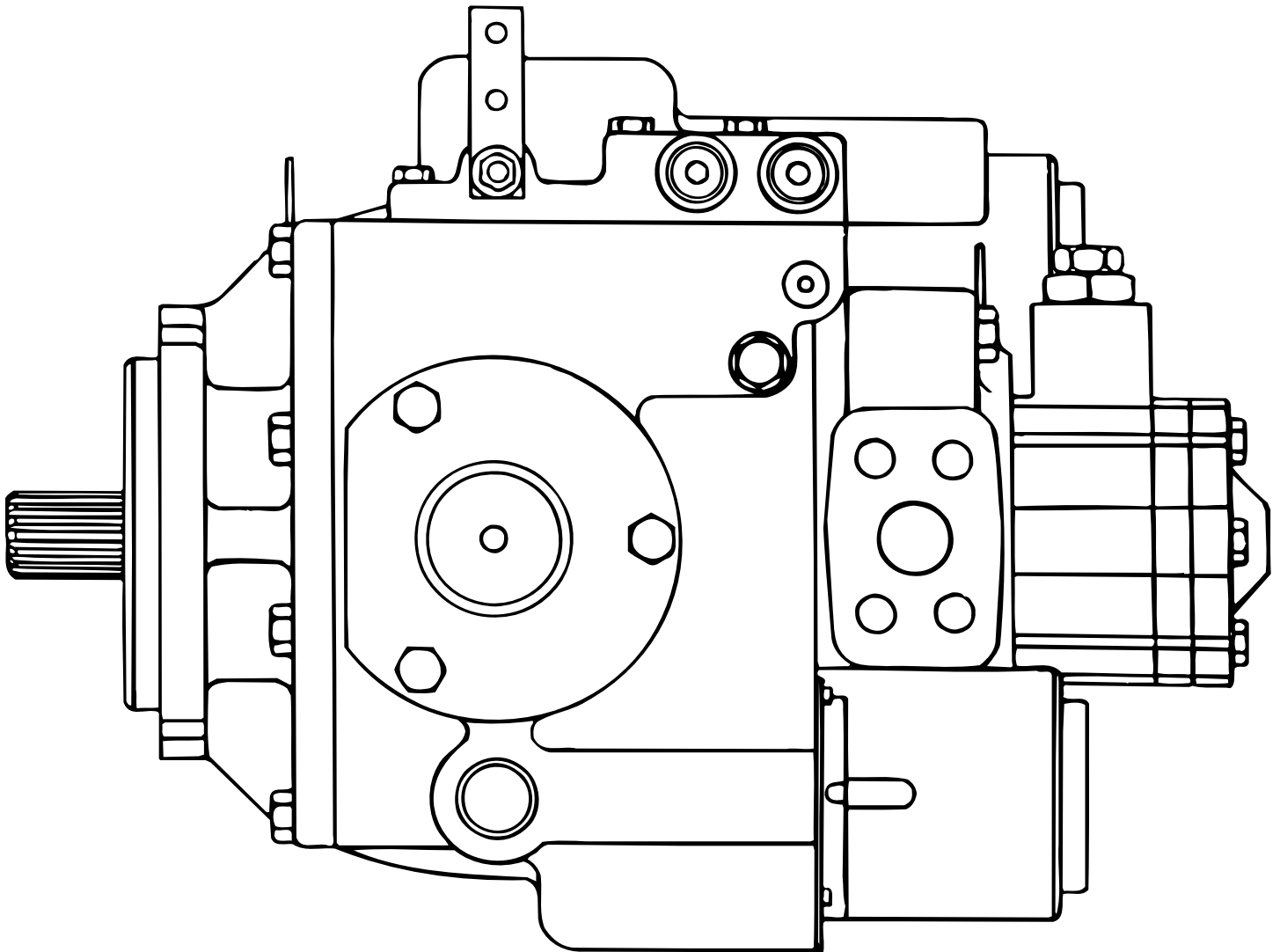


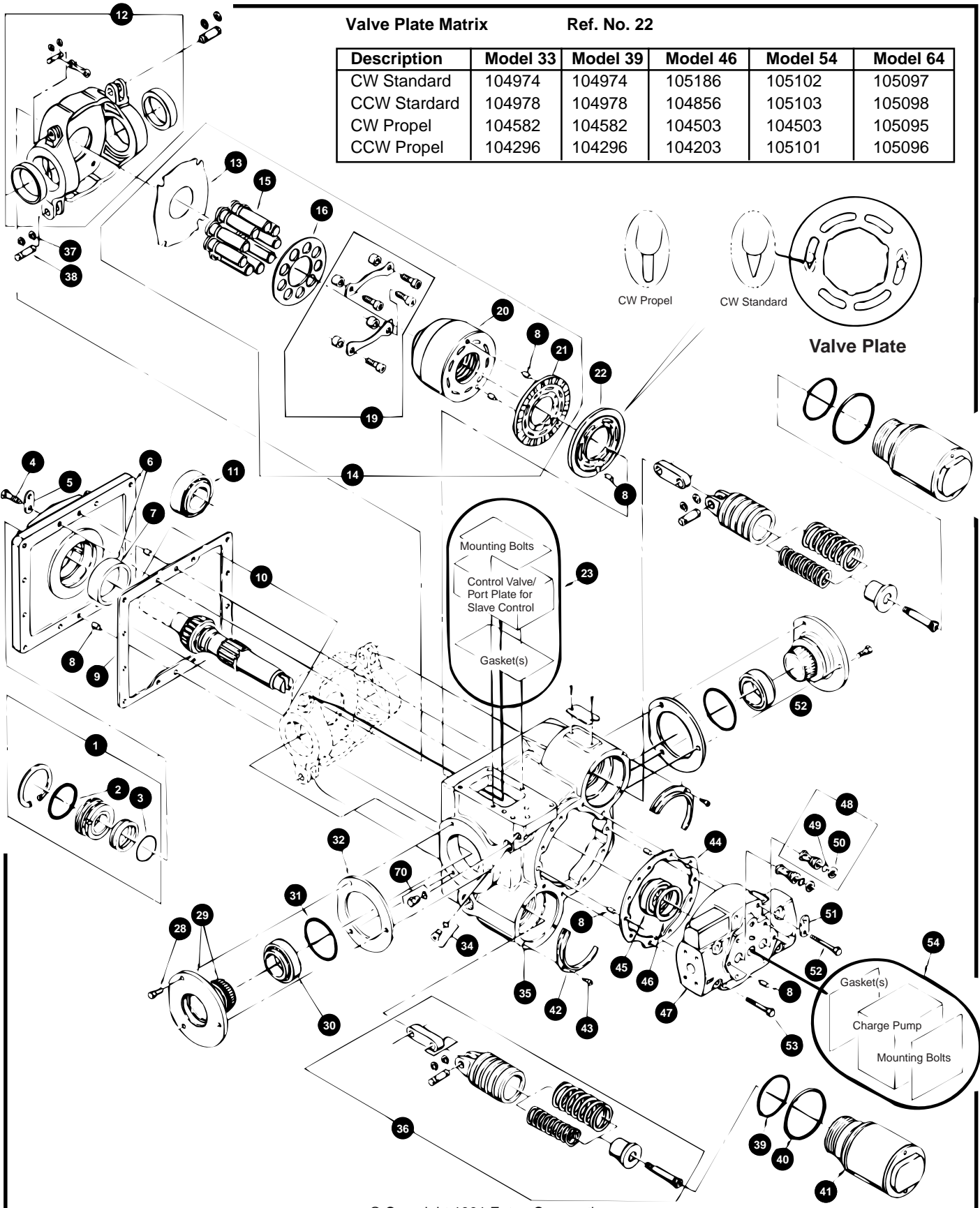
**Eaton
Hydraulics
Division**

Parts Information

Hydrostatic Variable Pumps - Series 1, Models 33-64



Parts Drawing



Valve Plate Matrix

Ref. No. 22

Description	Model 33	Model 39	Model 46	Model 54	Model 64
CW Standard	104974	104974	105186	105102	105097
CCW Standard	104978	104978	104856	105103	105098
CW Propel	104582	104582	104503	104503	105095
CCW Propel	104296	104296	104203	105101	105096

Parts List

Ref. No.	Description	Qty	Model 33	Model 39	Model 46	Model 54	Model 64
1	Kit, Shaft Seal	1	990231	990231	990231	990231	990231
2	O-ring	1	8761-145	8761-145	8761-145	8761-145	8761-145
3	O-ring	1	104166-131	104166-131	104166-131	104166-131	104166-131
4	Bolt, Mounting Flange	12	95863-100	95863-100	95863-100	95864-125	95864-125
5	Strap, Shipping	2	96558	96558	96558	96559	96559
6	S/A, Mounting Flange	1	104207	104207	104207	103803	103803
7	Cup, Bearing	1	103232	103232	103232	103808	103808
8	Dowel	7	98202	98202	98202	98202	98202
9	Gasket, Mounting Flange	1	8828	8828	8828	8826	8826
10	S/A, Drive Shaft	1	*	*	*	*	*
11	Bearing Kit, Mtg. Flange	1	990389	990389	990389	990387	990387
12	S/A, Swashplate	1	104301	104226	104226	104463	104463
13	Plate, Thrust	1	103236	103236	103236	103809	103809
14	Kit, Rotating Group	1	990425	990425	990427	990429	990431
15	S/A, Piston Slipper	9	101073	101073	104199	101077	103818
16	Plate, Slipper Retaining	1	103244	103244	104211	103853	103817
19	Kit, Series 1 Hold Down	1	990416	990416	990416	990417	990417
20	Kit, Cylinder Barrel	1	909412	990412	990413	990414	990415
21	Plate, Bearing	1	103241	103241	104198	103852	103814
22	Plate, Valve	1	*	*	*	*	*
23	Option, Control	1	**	**	**	**	**
28	Bolt, Trunnion	6	95863-088	95863-088	95863-088	95864-088	95864-088
29	S/A, Trunnion	2	103982	103982	103982	23591	23591
30	Kit, Trunnion Bearing	2	990024	990024	990024	990024	990024
31	O-ring	3	8761-231	8761-231	8761-231	8761-234	8761-234
32	Shim Pack, Trunnion	2	9900012	990012	990012	990013	990013
34	S/A, O-ring Plug	1	25083-004	25083-004	25083-004	25083-004	25083-004
35	Housing	1	101838	101838	101838	103805	103805
36	S/A, Servo Pison	2	104401	104401	104401	102638	102638
37	Retaining Ring, External	4	95820-056	95820-056	95820-056	95820-056	95820-056
38	Pink, Linkage	2	95654	95654	95654	95654	95654
39	O-ring	2	8761-143	8761-143	8761-143	8761-234	8761-234
40	O-ring	2	8761-147	8761-147	8761-147	8761-237	8761-237
41	Kit, Servo Sleeve	2	990037	990037	990037	990038	990038
42	Retainer, Servo	2	95675	95675	95675	95844	95844
43	Screw, Cap	6	95890-038	95890-038	95890-038	95890-038	95890-038
44	Gasket, End Cover	1	8734	8734	8734	103042	103042
45	Kit, End Cover Bearing	1	990014	990014	990014	990016	990016
46	Shim Pack, Shaft	1	990017	990017	990017	990019	990019
47	End Cover	1	*	*	*	*	*
48	S/A, Check Valve	2	101187	101187	101187	101187	101187
49	O-ring	2	8765-113	8765-113	8765-113	8765-113	8765-113
50	Ring, Back-up	2	8770-113	8770-113	8770-113	8770-113	8770-113
52	Bolt, End Cover	6	103090-275	103090-275	103090-275	103091-300	103091-300
53	Bolt, End Cover	2	103090-150	103090-150	103090-150	103091-200	103091-200
54	Charge Pump	1	**	**	**	**	**
70	S/A, O-ring Plug	1	25090-004	25090-004	25090-004	25090-004	25090-004

* See charts on opposite page and back page for specific part number.

** See separate parts list for specific part number.

EATON
 PARTS INFORMATION
 HYDROSTATIC VARIABLE PUMPS
 SERIES 1, MODELS 33 THRU 64
 NO. 6-608

EACH ORDER MUST INCLUDE
 THE FOLLOWING INFORMATION

- | | |
|-------------------|----------------------|
| 1. Product Number | 4. Part Number |
| 2. Date Code | 5. Quantity of Parts |
| 3. Part Name | |

HOW TO ORDER
 REPLACEMENT PARTS

Drive Shaft Matrix Ref. No. 10

Description	Model 33	Model 39	Model 46	Model 54	Model 64
1-1/2 Str. Keyed	104897	104897	104897	105074	105074
1-3/8 Tapered	104954	104954	N/A	105054	105054
1-3/8 Tapered*	105210	105210	N/A	N/A	N/A
14T-12/24P	104204	104204	104204	105050	105050
14T-12/24P*	104961	104961	104961	105072	105072
21T-16/32P	104586	104586	104586	105068	105068
21T-16/32P*	104933	104933	104933	N/A	N/A
23T-16/32P	104504	104504	104504	105064	105064
23T-16/32P*	N/A	N/A	N/A	104375	104375

101540 - 3/8 Square Key (for 1-1/2 Straight Keyed Shaft)

101017 - Woodruff Key (for 1-3/8 Tapered Shafts)

96898 – Slotted Nut (for 1-3/8 Tapered Shafts)

*With Splined Drive End for B Pad Charge Pump

End Cover Matrix Ref. No. 47

Description	Model 33	Model 39	Model 46	Model 54	Model 64
Main Ports					
1 inch Code 61	50515	50515	104209	50517	105080
1 inch Code 61 w/Pressure Tap	101433	101433	104210	101415	105107
1 inch Code 61 IPOR S/A	103152	103152	105017	103100	105177
1 inch Code 62	101331	101331	104577	102182	105081
1 inch Code 62 IPOR S/A	104913	104913		103466	105142
1 inch Code 62 w/Pressure Tap	101441	101441		101958	
1 inch O-ring	101490	101490	104265	101492	

Code 61 - SAE Code 61, Split Flange, 3000 PSI, Drilled and Tapped for 3/8-16 UNC 2B Thread Bolt

Code 62 - SAE Code 62, Split Flange, 6000 PSI, Drilled and Tapped for 7/16-14 UNC 2B Thread Bolt

Eaton Corporation **Hydraulics Division**, 15151 Highway 5, Eden Prairie, MN 55344 Telephone (612) 937-9800

